

Valerian Agbasonu<sup>1</sup>, Augustina Ogini<sup>2</sup>, Udoka Nnodum<sup>2</sup>

<sup>1</sup>Computer science department, Imo State University, Owerri Imo State

<sup>2</sup>Tele-medicine unit, Federal Medical Centre Owerri, Nigeria

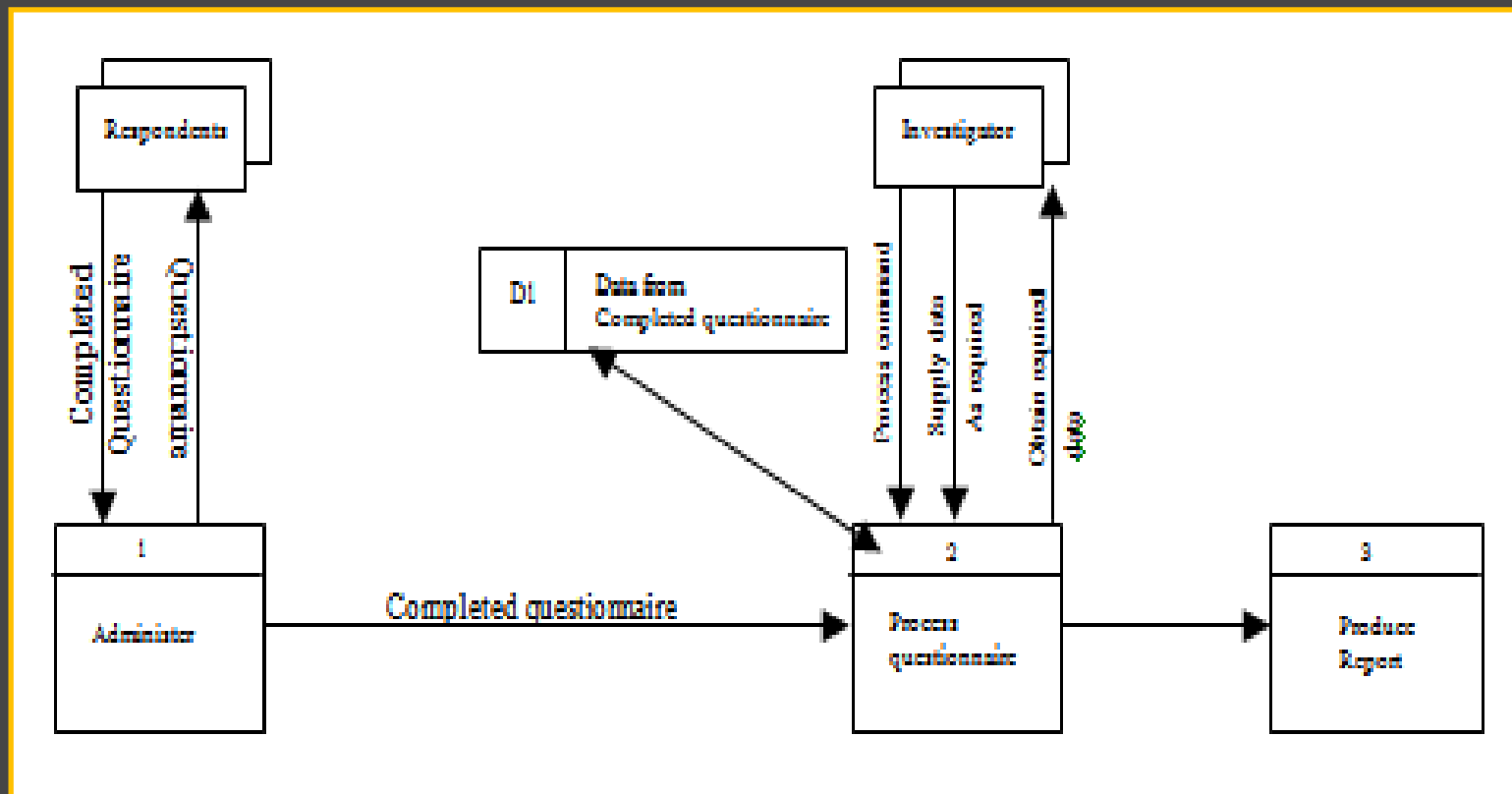
[augustogini@yahoo.com](mailto:augustogini@yahoo.com)

**IMPROVING HEALTH TECHNOLOGY MANAGEMENT  
THROUGH AN INTERNET BASED MOBILE  
WIRELESS HEALTH CARE PORTAL WITH A WEB  
QUESTIONNAIRE PROCESSING SYSTEM**

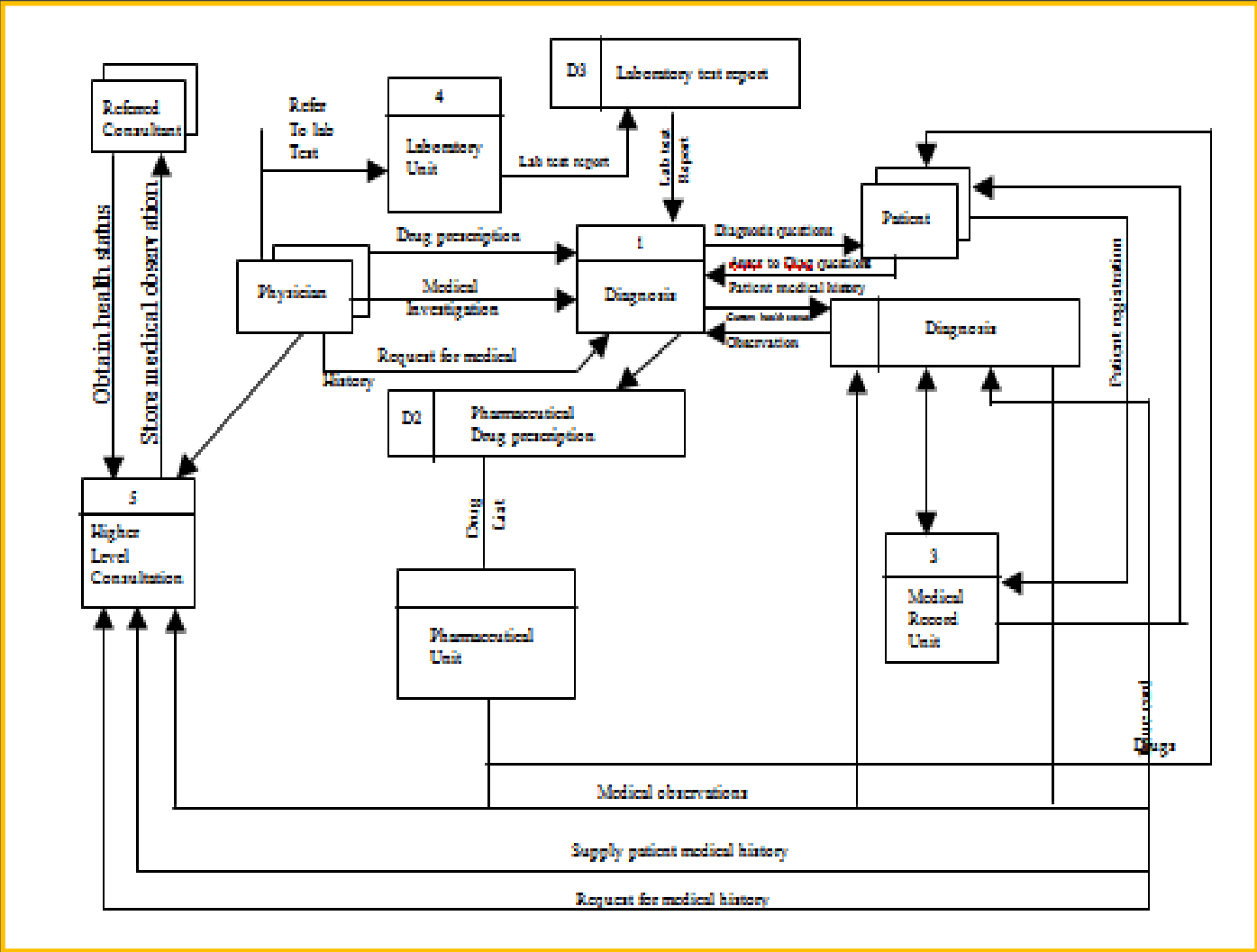
# Key Points

- ① Wireless Healthcare Portal
- ① The Internet Viewed on Mobile Devices for the Wireless Health Care
- ① Mobility Services Portals

# Wireless Health Portal



# Overall Data Flow Diagram Of The Proposed Solution



# The Authors



- Agbasonu Chinedum is currently lecturing in Evan Enwerem University, Owerri, Imo State, Nigeria in the Department of Computer Science. He holds a PhD. in Computer / Information system from American Heritage University of Southern California, USA. He is a part-time lecturer on Computer Information Technology at the National Open University of Nigeria, Owerri Study Center and has presented papers nationally and internationally on Computer based assessment of student learning etc. He is a member of sFTeHIN.
- Ogini Nwadi is an Assistant Director of Nursing and the Multi- Disciplinary Team Co-ordinator of the Telemedicine Unit of Federal Medical Center, Owerri, Imo State. She holds a BNsc in Nursing sciences, Master degrees in Industrial Sociology and Personnel Management, Public Health. She is in charge of Education and Research in Nursing Services Department of Federal Medical Center, Owerri. She has been involved in Telemedicine/ Telenursing Practice since 2007 and is involved in several research works on telenursing. Her interest is Information Communication Technology in e-Health. She is the Chairman of National e-Health working group(NEWG) and Telenursing Networking Group, South East zone and a member of SfTeHIN.
- Nnodum Lydia is a statistician at the Federal Medical Center Owerri, Imo state. She studied BSc Statistics at the Imo State University and Information Computer Technology at the Federal University of Technology Owerri, Imo State. She is currently the Secretary/Desk Officer to the Telemedicine Unit at Federal Medical Center, Owerri, Imo State, Nigeria. She's secretary to National e-Health working group(NEWG) South East zone and a member of sFTeHIN